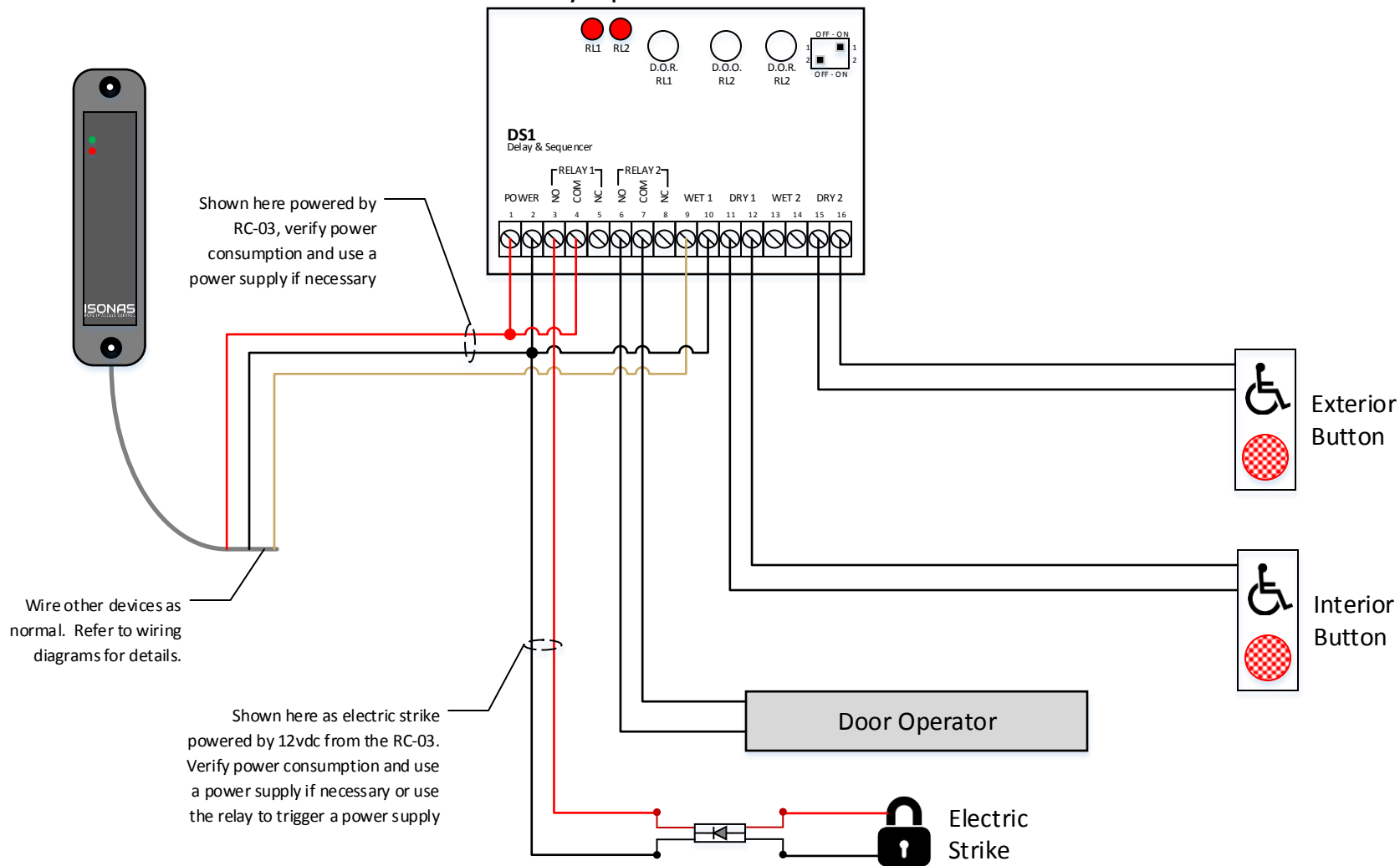


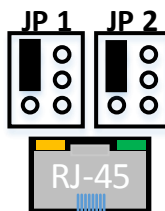
**Command Access Technologies
Delay Sequencer Board Part DS1**



Important – Read This First

- Always refer to manufacturer instructions, this drawing is a recommendation and site characteristics vary.
- When utilizing 12vdc from a PoE powered RC-03 verify power calculation to ensure enough power is available for all devices.
- Some adjustment of the timing will be necessary by adjusting the potentiometers, installing the device at default values will result in errors.
- Note dip switch settings for this configuration.

**PowerNet RC
Jumper Positions**



**PowerNet – ADA Integration with
Command Access DS1 Board**

Dwg No:

Sheet
1

of
1

Date:
3/2/2016

Drawn By:
Jason R Clement

Version:
1.00.00

ISONAS
PURE IP ACCESS CONTROL

4750 Walnut Street Suite 110
Boulder, CO 80301
www.isonas.com